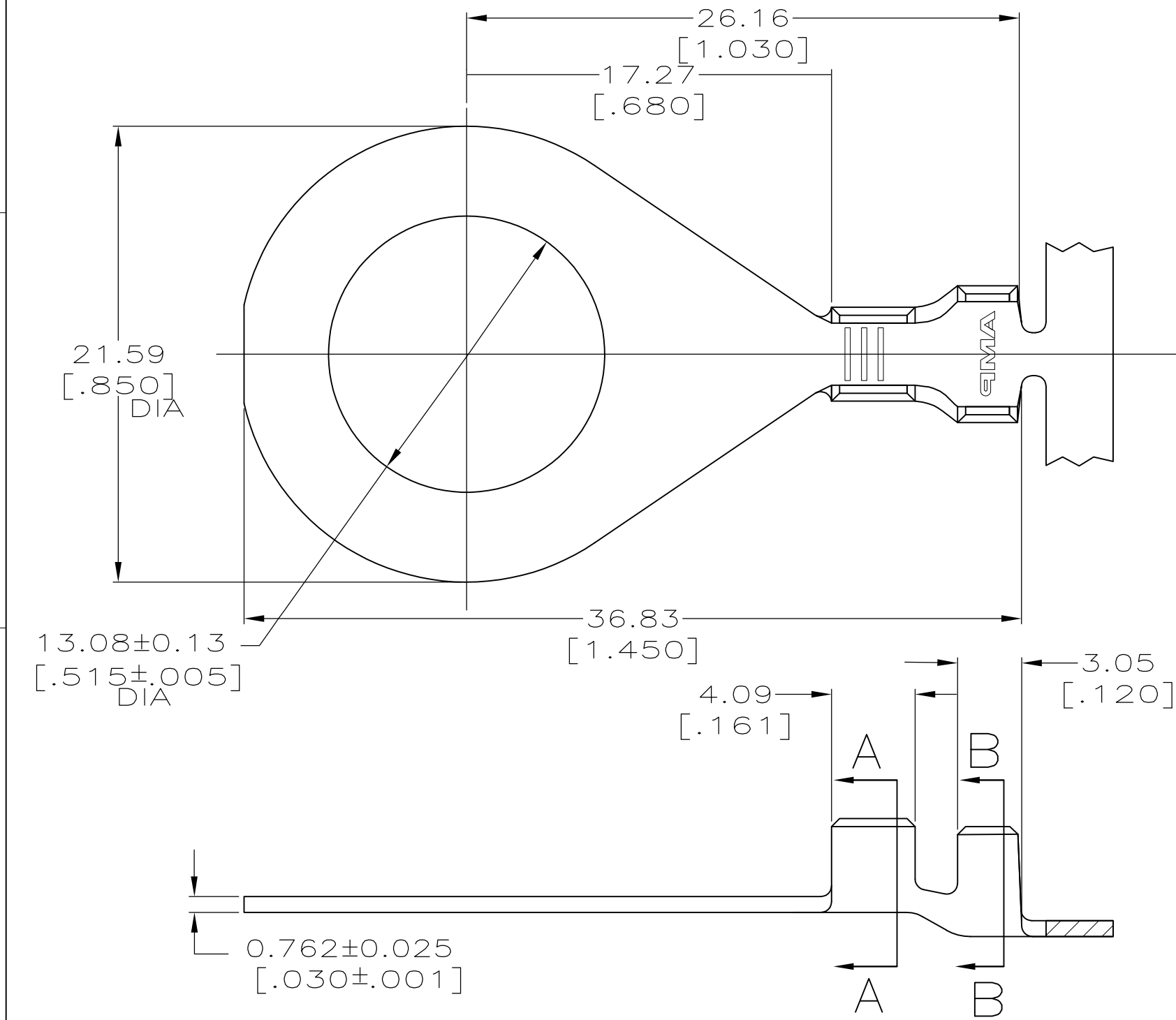
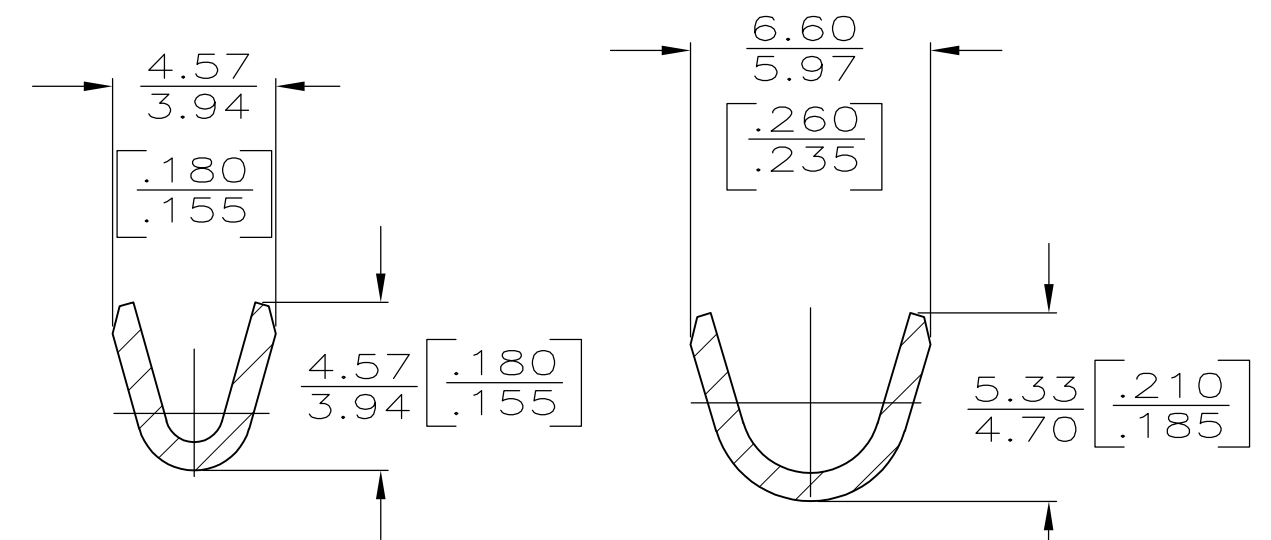


THIS DRAWING IS UNPUBLISHED. RELEASED FOR PUBLICATION
 © COPYRIGHT BY TYCO ELECTRONICS CORPORATION. ALL INTERNATIONAL RIGHTS RESERVED.

LOC	DIST	REVISIONS			
P	LTR	DESCRIPTION	DATE	DWN	APVD
AF	50	J	REVISED PER ECR-10-006099	08JUL10	HMR PD



- 1. CONTINUOUS STRIP ON REEL.
- 2. INSULATION RANGE: 2.03-2.92 [.080-.115] F CRIMP
 2.92-3.81 [.115-.150] O CRIMP.



2	[18-14] AWG	61863-2
INSULATION RANGE	WIRE RANGE	PART NO

THIS DRAWING IS A CONTROLLED DOCUMENT.		DWN 2/15/94 PHILLIP M FORTNEY	Tyco Electronics Corporation Harrisburg, PA 17105-3608	
DIMENSIONS: mm [INCHES]		CHK 2/15/94 JEFF RUTH	NAME	
TOLERANCES UNLESS OTHERWISE SPECIFIED: 0 PLC ± - 1 PLC ± - 2 PLC ± 0.25 [.010] 3 PLC ± - 4 PLC ± - ANGLES ± -		APVD 2/15/94 GARY YETTER	RING	
MATERIAL 082 BRASS	FINISH TIN	PRODUCT SPEC -	SIZE A3	CAGE CODE 00779
CUSTOMER DRAWING		APPLICATION SPEC -	DRAWING NO G-61863	RESTRICTED TO -
		WEIGHT -	SCALE 4:1	SHEET 1 OF 1
			REV J	